

MONOFLAT LIN-X HINGE LIN-X450, LIN-X600

INSTRUCTION

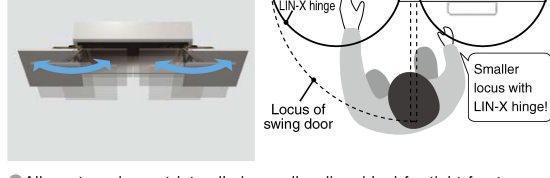
MonoFlat LIN-X hinge



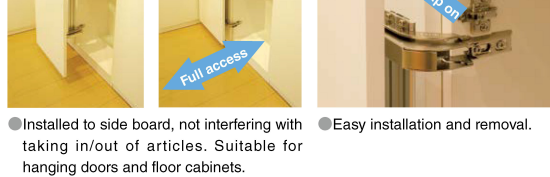
	LIN-X450 1	LIN-X600 2
Door Width	400-500 mm	550-650 mm
Door Height	600-2400 mm	
Door Thickness	15-24 mm	
Door Weight	Max. 17 kg/Door	Max. 24 kg/Door
Overlay	19 mm	
Specification	☐ Single Door (Overlay)	

Door does not get in the way even when fully opened

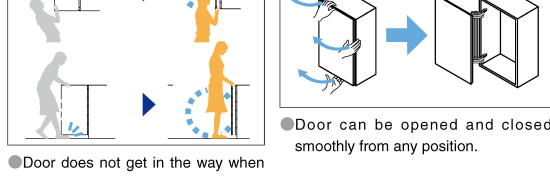
- Door will be flush with left and right doors when closed.
- Door does not get in the way during and after being opened. Swings out laterally in small radius, ideal for tight front space application.
- Full access to cabinet! Maximising inside space. Installed to cabinet side board, maximising space inside of cabinet.
- Smooth operation. Door can be opened and closed smoothly from any position.
- Soft close. Door closes smoothly and softly with damper.
- Easy installation. Arms are clipped or base.
- 4-way adjustable. Adjustable in vertical, horizontal, depth and parallel directions.
- Various applications. Allows to combine single door and double door, suitable for various cabinets. L-shaped corner use also possible.



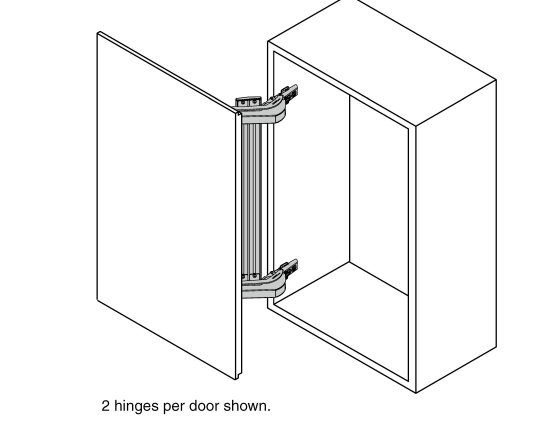
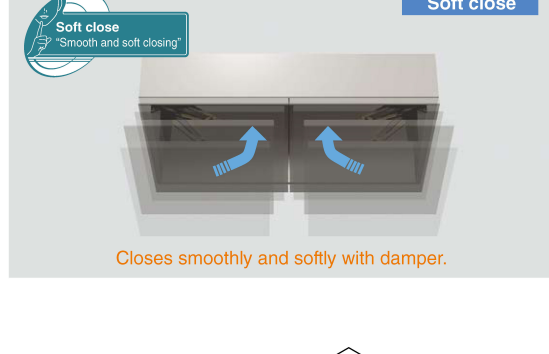
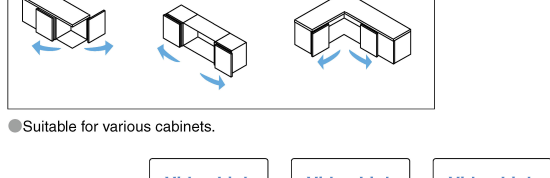
Allows to swing out laterally in small radius, ideal for tight front space application.



Installed to side board, not interfering with taking in/out of articles. Suitable for hanging doors and floor cabinets. Easy installation and removal.



Door does not get in the way when opening and closing.



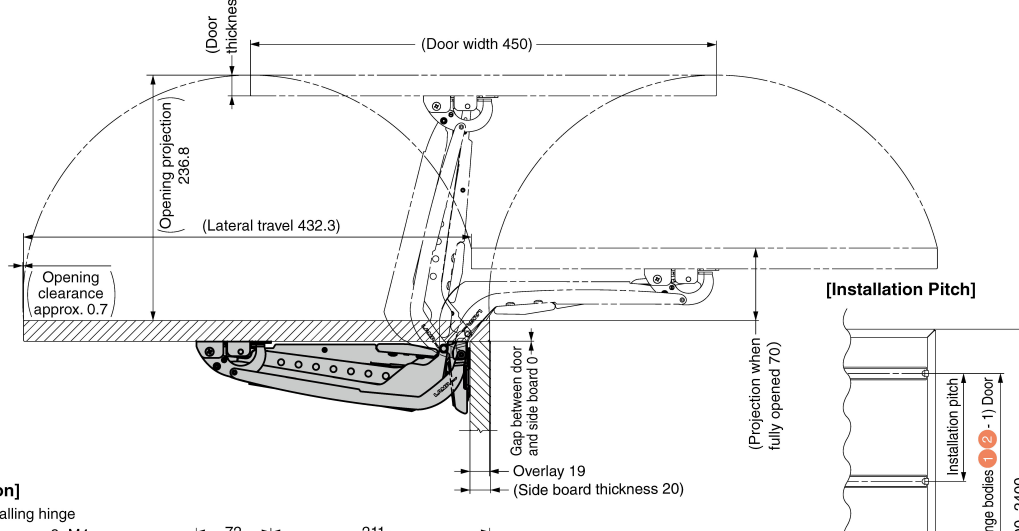
Refer to **1** : P.805, **2** : P.808

LIN-X450 Installation Example

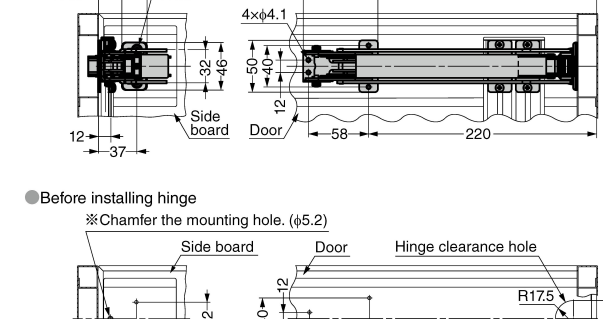
Door specifications [Width: 400-500mm] [Thickness: 15-24mm] [Height: 600-2400mm] [Weight: Max. 17kg/door] [Overlay: 19mm for standard type]

The circled numbers are part numbers. Please check with the parts list **1**. For LIN-X600, refer to **2**.

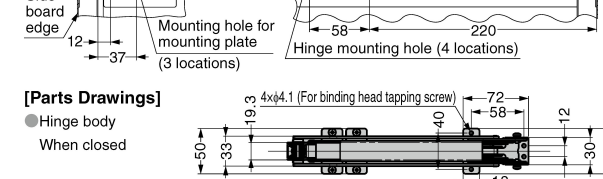
[Locus Chart]



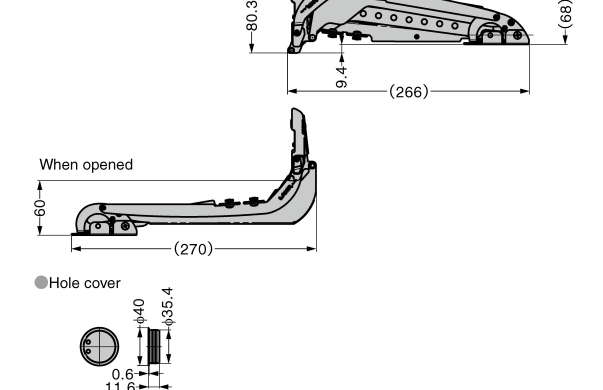
[Installation]



Before installing hinge



[Parts Drawings]

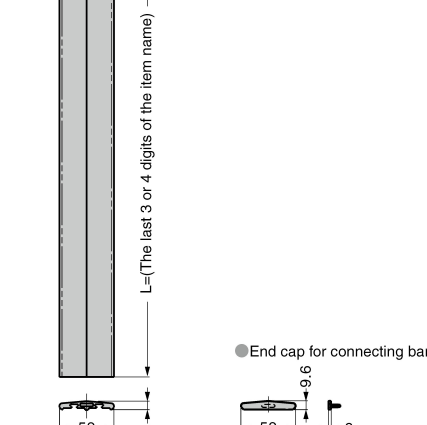


Hole cover



Refer to **1** : P.806-P.807, **2** : P.810

Qty of Hinge Bodies (1 + 2)	Item Name Suffix of Parts Set					
	09XX	12XX	15XX	18XX	21XX	24XX
2 Hinges per Door	490	790	1090	-	-	-
3 Hinges per Door	245	395	545	695	845	-
4 Hinges per Door	-	263	363	463	563	663
5 Hinges per Door	-	-	272.5	347.5	422.5	497.5



When Ordering MonoFlat LIN-X Hinge LIN-X450

● Necessary Parts..... **Parts Set (Per Door)** + **Mounting Plate**

● Standard kit **1** including mounting plates also available, suitable for door height 600-900mm and door weight 7kg or less.

Parts Set (Per Door)		Necessary Parts						
Choose based on applicable door height and door weight. (Refer to 2 for details on dimensions and descriptions of parts included in the set.)								
Part No.	CAD	Item Code	Item Name	Parts Included (For LIN-X450)				Weight (g)
				1 Hinge Set (With Catch & Damper)	2 Hinge Set (Without Catch & Damper)	3 Connecting Bar	4 End Cap For Connecting Bar	
				Qty/set	Qty/set	Connecting Bar Item Name	Qty/pc	
		250-016-701	LIN-X450S-0907	600~	Max. 7	2		4046
		250-016-702	LIN-X450S-0910	900	7.1-10.5	3		4812
		250-016-703	LIN-X450S-1207	900	Max. 7	2		4193
		250-016-704	LIN-X450S-1210	901~	7.1-10.5	3		4959
		250-016-705	※1 LIN-X450S-1214	1200	10.6-14	3		5661
		250-016-706	LIN-X450S-1507		Max. 7	2		4416
		250-016-707	LIN-X450S-1510	1201~	7.1-10.5	3		5182
		250-016-708	※1 LIN-X450S-1514	1500	10.6-14	3		5884
		250-016-709	※2 LIN-X450S-1517		14.1-17	2		6586
		250-016-710	LIN-X450S-1807		Max. 7	2		5512
		250-016-711	LIN-X450S-1810	1501~	7.1-10.5	3	1	5512
		250-016-712	※1 LIN-X450S-1814	1800	10.6-14	3	2	6214
		250-016-713	※2 LIN-X450S-1817		14.1-17	2		6916
		250-016-715	LIN-X450S-2107		Max. 7	2		5648
		250-016-716	LIN-X450S-2110	1801~	7.1-10.5	3		5648
		250-016-717	※1 LIN-X450S-2114	2100	10.6-14	3		6350
		250-016-718	※2 LIN-X450S-2117		14.1-17	2		7052
		250-016-721	※1 LIN-X450S-2407		Max. 7	2		6669
		250-016-722	※1 LIN-X450S-2410	2101~	7.1-10.5	3	1	6669
		250-016-723	※1 LIN-X450S-2414	2400	10.6-14	3		6669
		250-016-724	※2 LIN-X450S-2417		14.1-17	2		-

※1: 4 hinges per door. If installing hinge set (without catch & damper) **2**, please use it as the second one from the bottom.

※2: 5 hinges per door. If installing hinge set (without catch & damper) **2**, please use it as the second and third ones from the bottom.

[Parts Set Details] Refer to page **2** for the dimensions.

No.	Part Name	Description
1	Hinge Set (With Catch & Damper)	Parts Included in 1 Set Hinge Body (With Catch & Damper) Item Code : 250-016-240 Item Name : LIN-X450ACD Weight (g) : 766
	Hole Cover	Material Steel Finish Nickel
	Binding Head Tapping Screw	Material Steel Finish Nickel
2	Hinge Set (Without Catch & Damper)	Parts Included in 1 Set Hinge Body (With Catch & Damper) Item Code : 250-016-242 Item Name : LIN-X450A Weight (g) : 702
	Hole Cover	Material Steel Finish Nickel
	Binding Head Tapping Screw	Material Steel Finish Nickel

Refer to **1** : P.807, **2** : P.805

No.	Part Name	Description
3	Connecting Bar	Item Code : 250-016-250 Item Name : LIN-X45-L540 Weight (g) : 481 Item Code : 250-016-252 Item Name : LIN-X45-L840 Weight (g) : 647 Item Code : 250-016-254 Item Name : LIN-X45-L1140 Weight (g) : 870 Item Code : 250-016-255 Item Name : LIN-X45-L1440 Weight (g) : 1200 Item Code : 250-016-256 Item Name : LIN-X45-L1740 Weight (g) : 1336 Item Code : 250-016-259 Item Name : LIN-X45-L2040 Weight (g) : 1655 Material Aluminium Alloy Finish Anodised
4	End Cap for Connecting Bar	Item Code : 250-016-260 Item Name : LIN-X45C Weight (g) : 2 Material POM Colour Grey

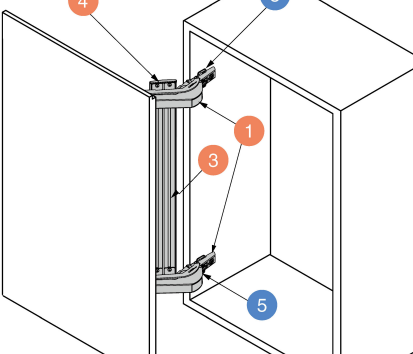
Mounting Plate

Necessary Parts
Mounting Plate **5** : Same qty as hinge (**1** + **2**) is necessary.
Countersunk Head Tapping Screw **6** : 3 pcs are necessary per 1 mounting plate.

No.	Part No.	CAD	Item Code	Dimensions
5			160-070-041	Mounting Plate Item Name : 230-P4W-32T Weight (g) : 26 Material Steel Finish Nickel

No.	Part No.	CAD	Item Code	Dimensions
6			160-070-030	Raised Countersunk Head Tapping Screw 3.5x15 Weight (g) : 1 Material Steel Finish Nickel For Mounting Plate

The circled numbers are part numbers. Please check with the parts list **1**. For LIN-X600, refer to **2**.



Refer to **1** : P.806-P.807, **2** : P.810